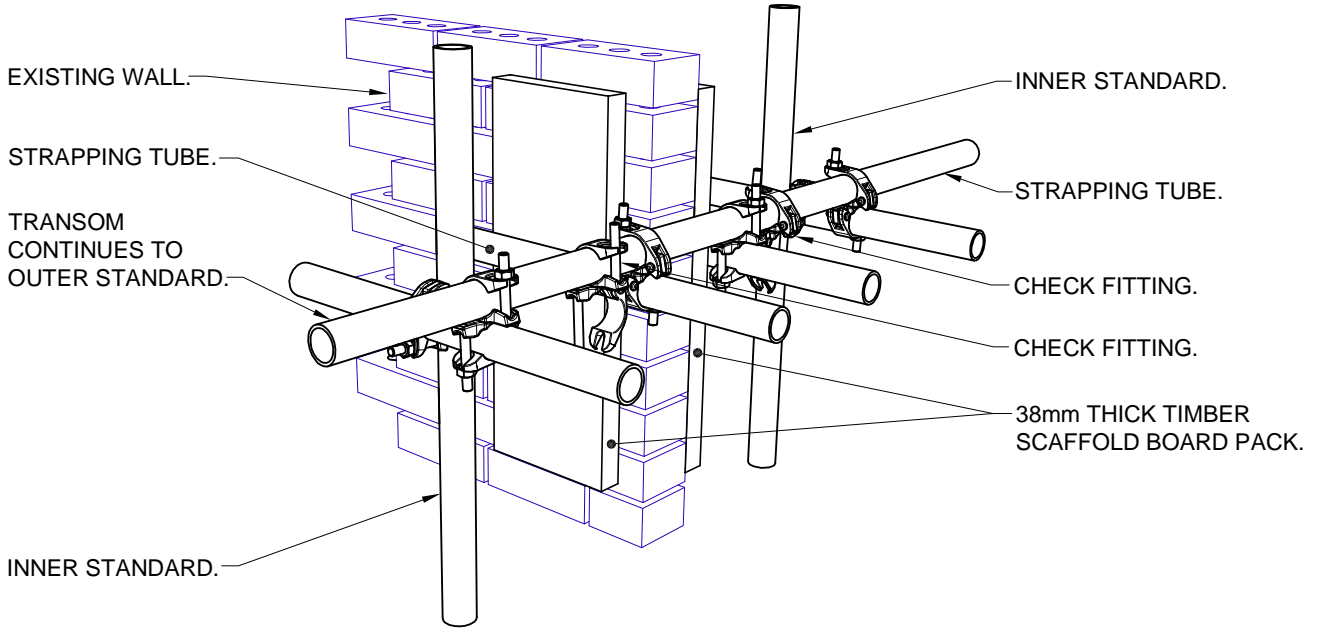
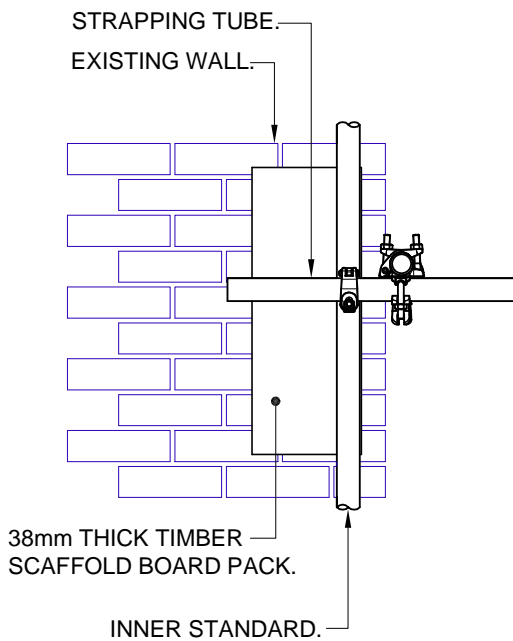


TECHNICAL SHEET :	TS 102
DATE :	...
DRAWN :	REL
APPROVED :	MB
TITLE :	TYPICAL STRAPPING DETAIL

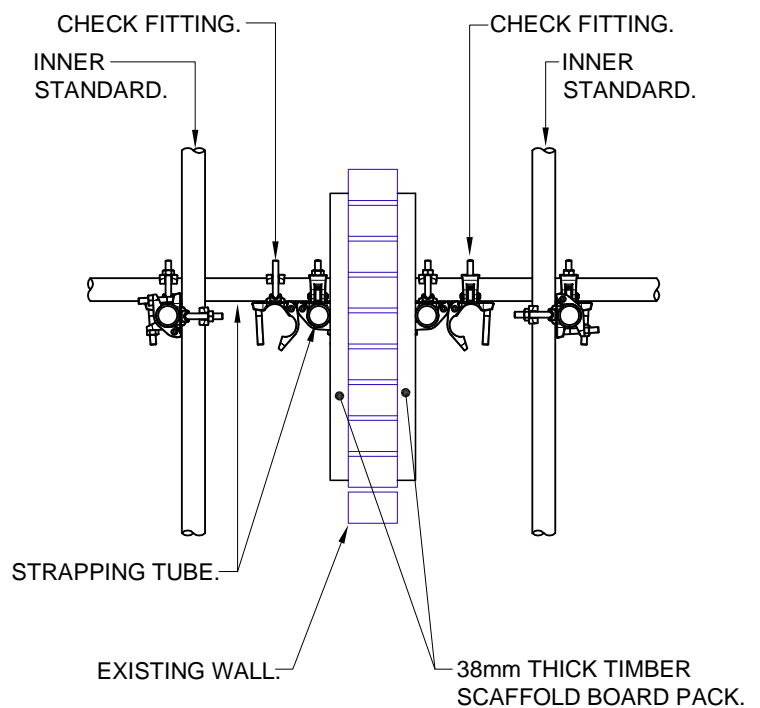
**TECHNICAL INSTRUCTION SHEET**



**PERSPECTIVE VIEW ON STRAPPING ARRANGEMENT**



**ELEVATION**



**END ELEVATION**